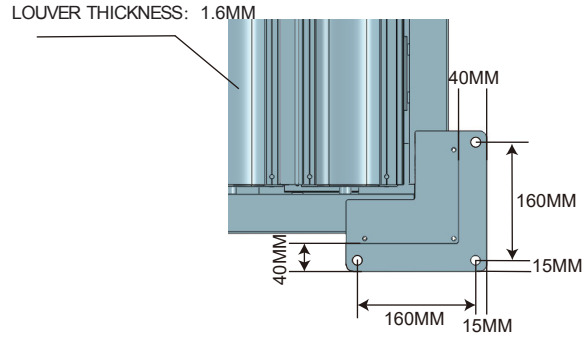
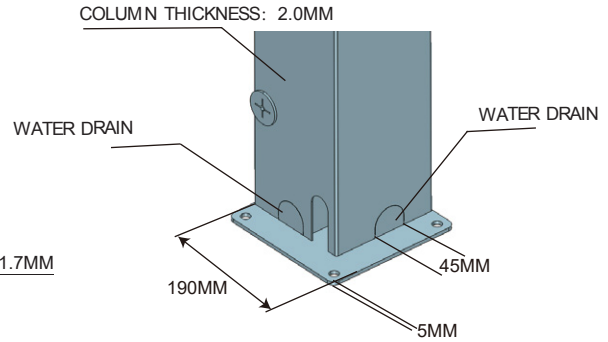
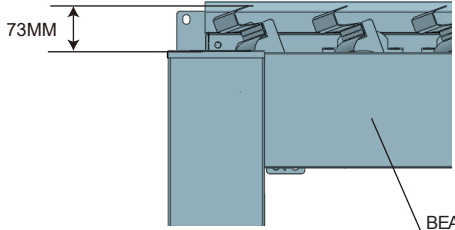
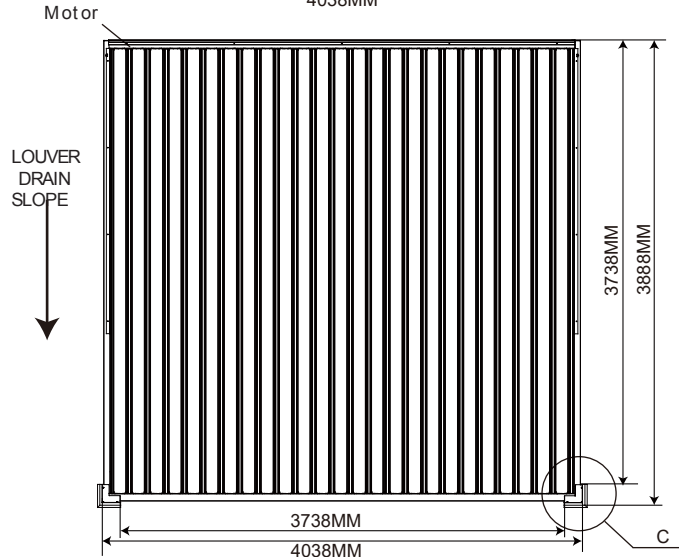
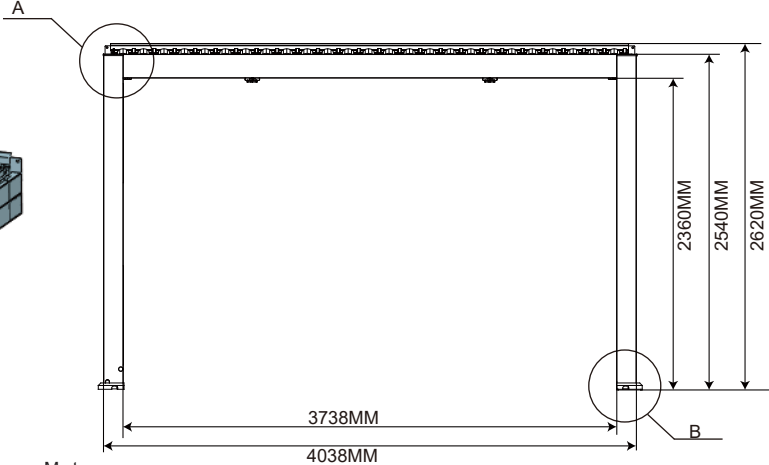
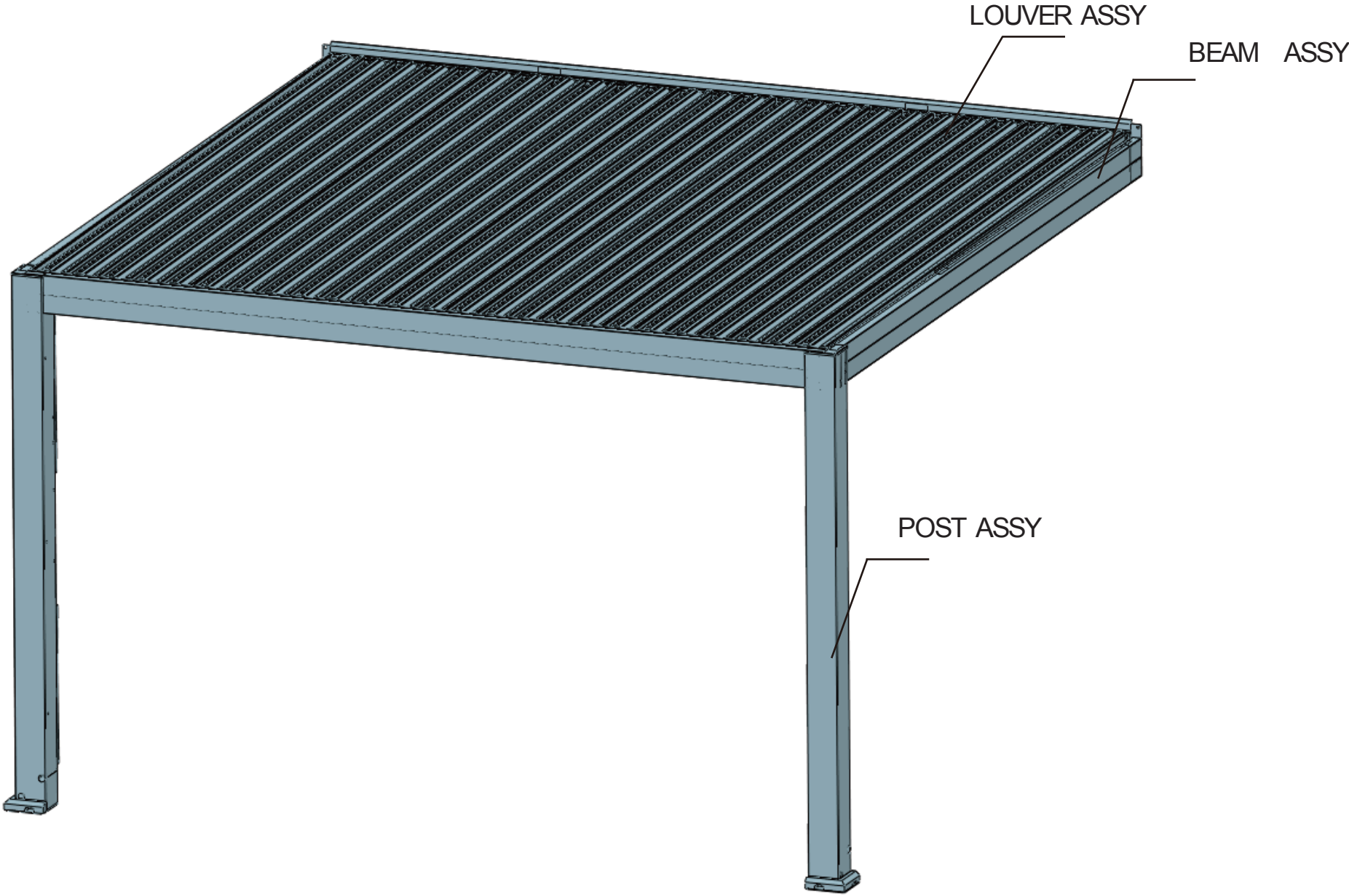


Materials:6063-T5 Aluminum Alloy

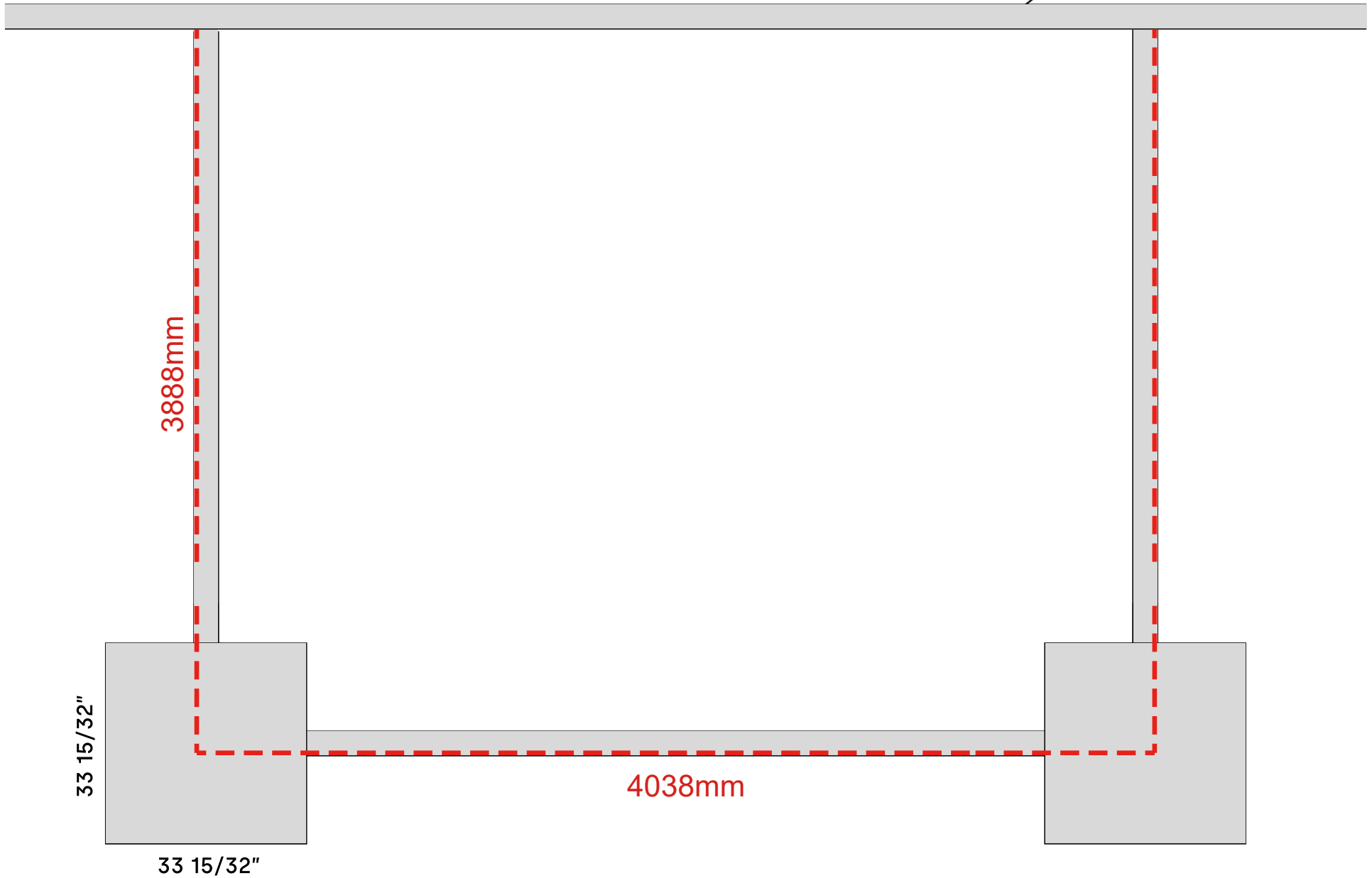


Materials:6063-T5 Aluminum Alloy



# Foundation Plan

Wall



# **Product Installation Confirmation Statement**

**This is to certify the following:**

**4-inch (100mm) concrete pad is sufficient for the installation of FlexPatio Motorized Pergola. The use of 3.5-inch M8 expansion screws is sufficient for proper anchoring.**

**FlexPatio will be providing the 3.5-inch M8 expansion screws as part of the product package.**

**This statement is issued at the request of our customer to confirm installation requirements and supplied components.**

**FlexPatio Team**