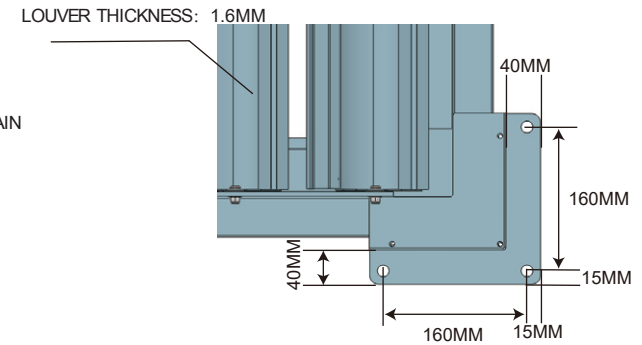
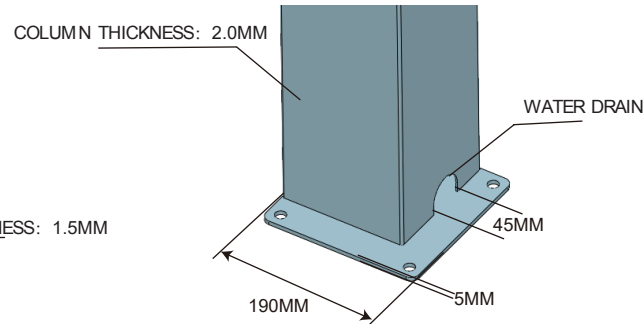
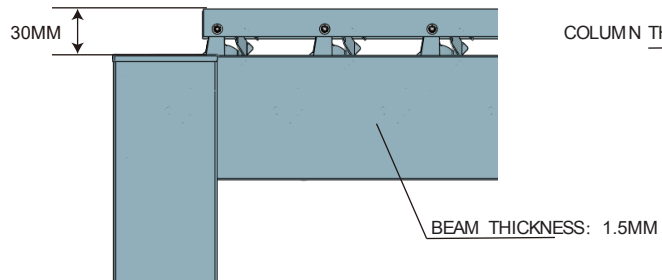
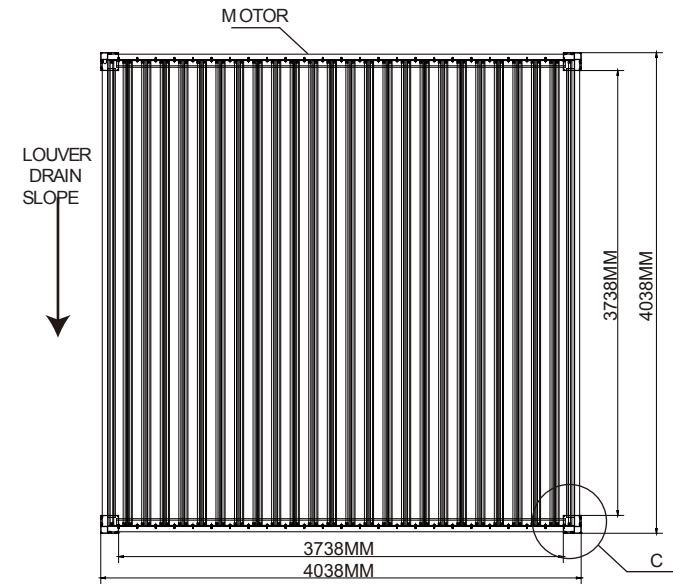
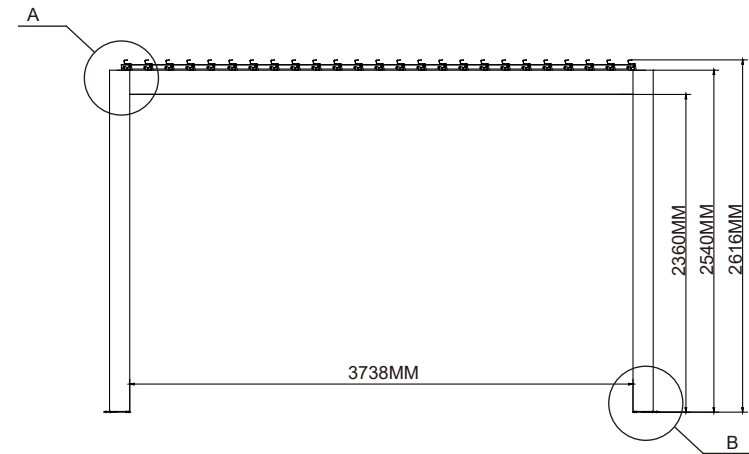
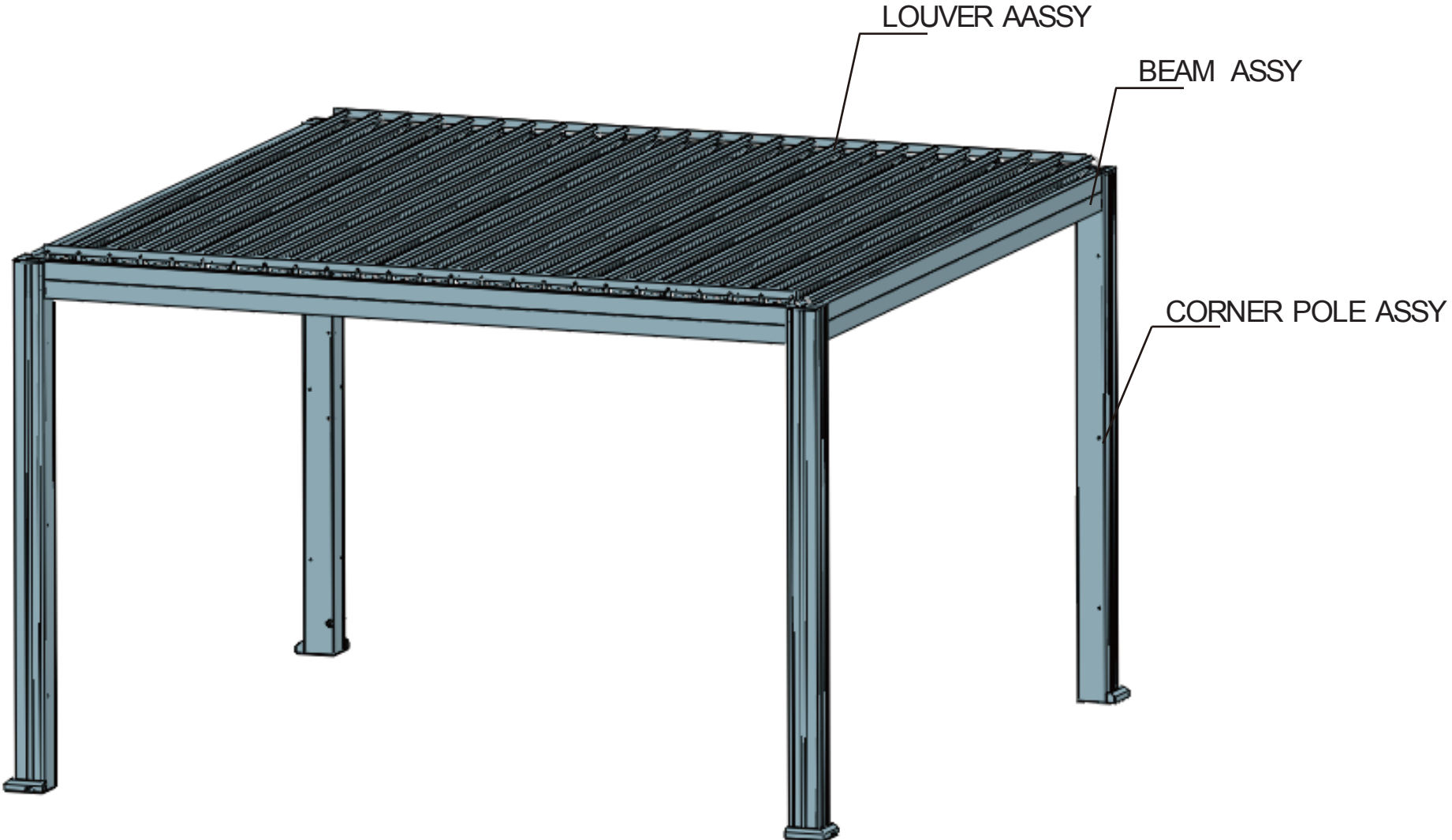


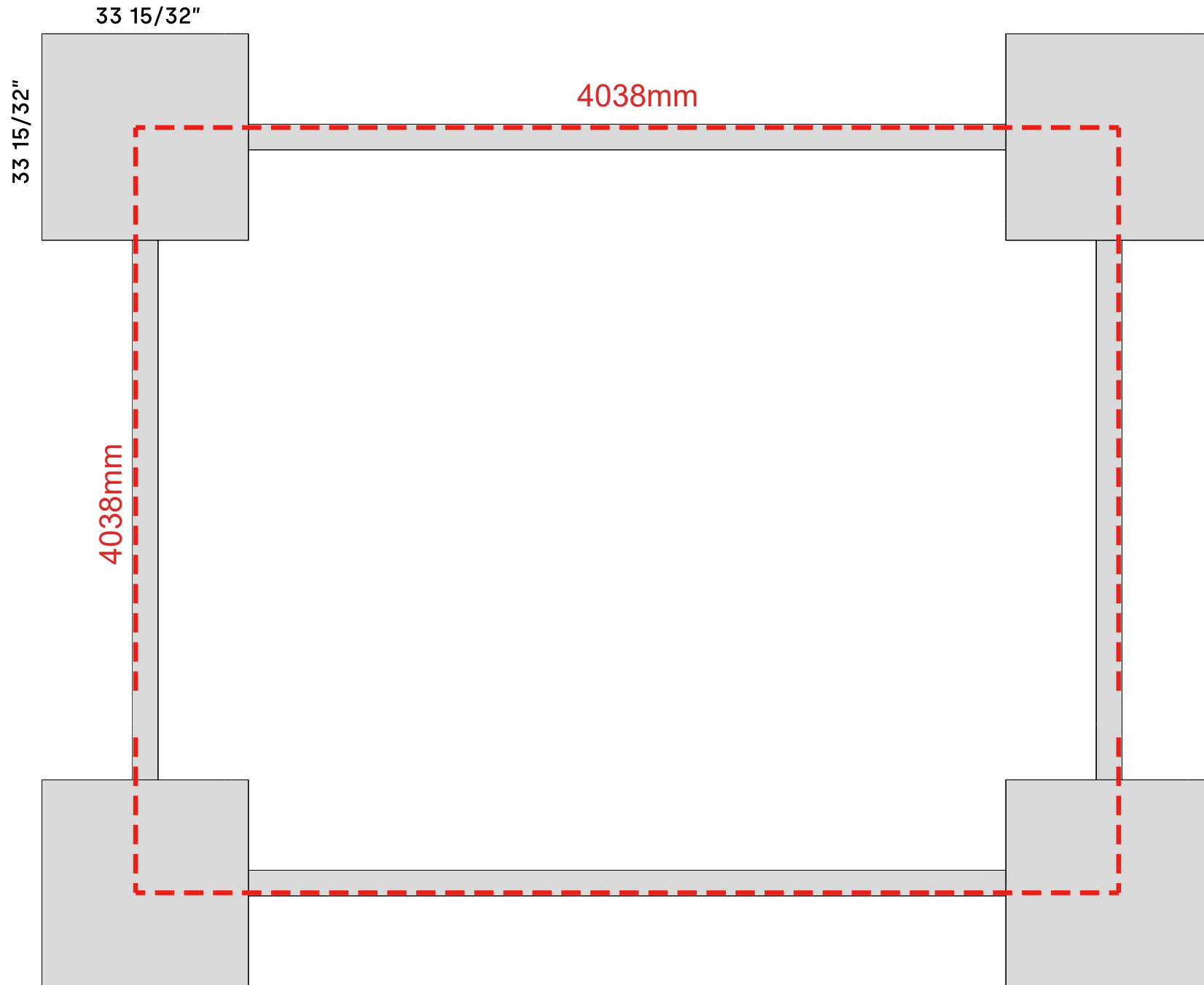
Materials • 6063-T5



Materials • 6063-T5



FlexPatio POWER+ Motorized Pergola 13' x 13' • Foundation Plan



Product Installation Confirmation Statement

This is to certify the following:

4-inch (100mm) concrete pad is sufficient for the installation of FlexPatio POWER+ Motorized Pergola.

The use of 3.5-inch M8 expansion screws is sufficient for proper anchoring.

FlexPatio will be providing the 3.5-inch M8 expansion screws as part of the product package.

This statement is issued at the request of our customer to confirm installation requirements and supplied components.

FlexPatio Team