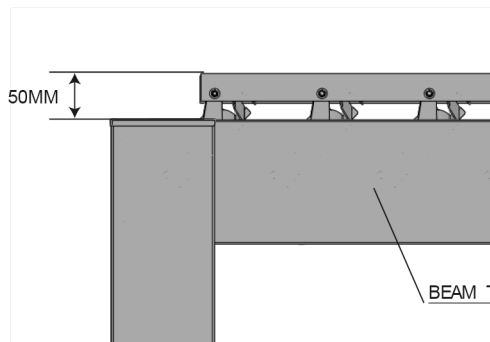
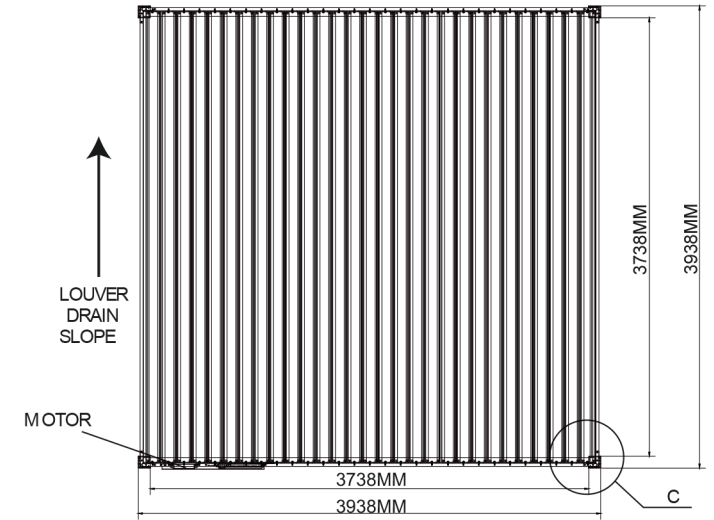
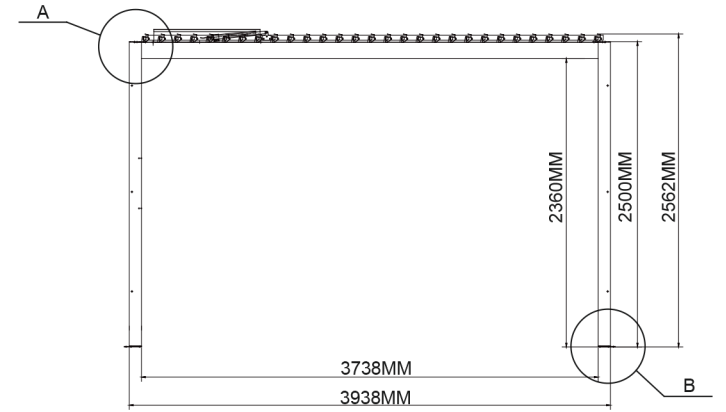
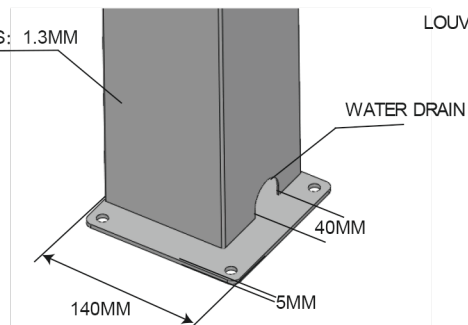


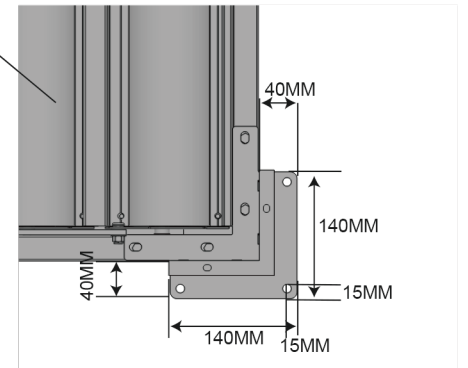
Materials:6063-T5

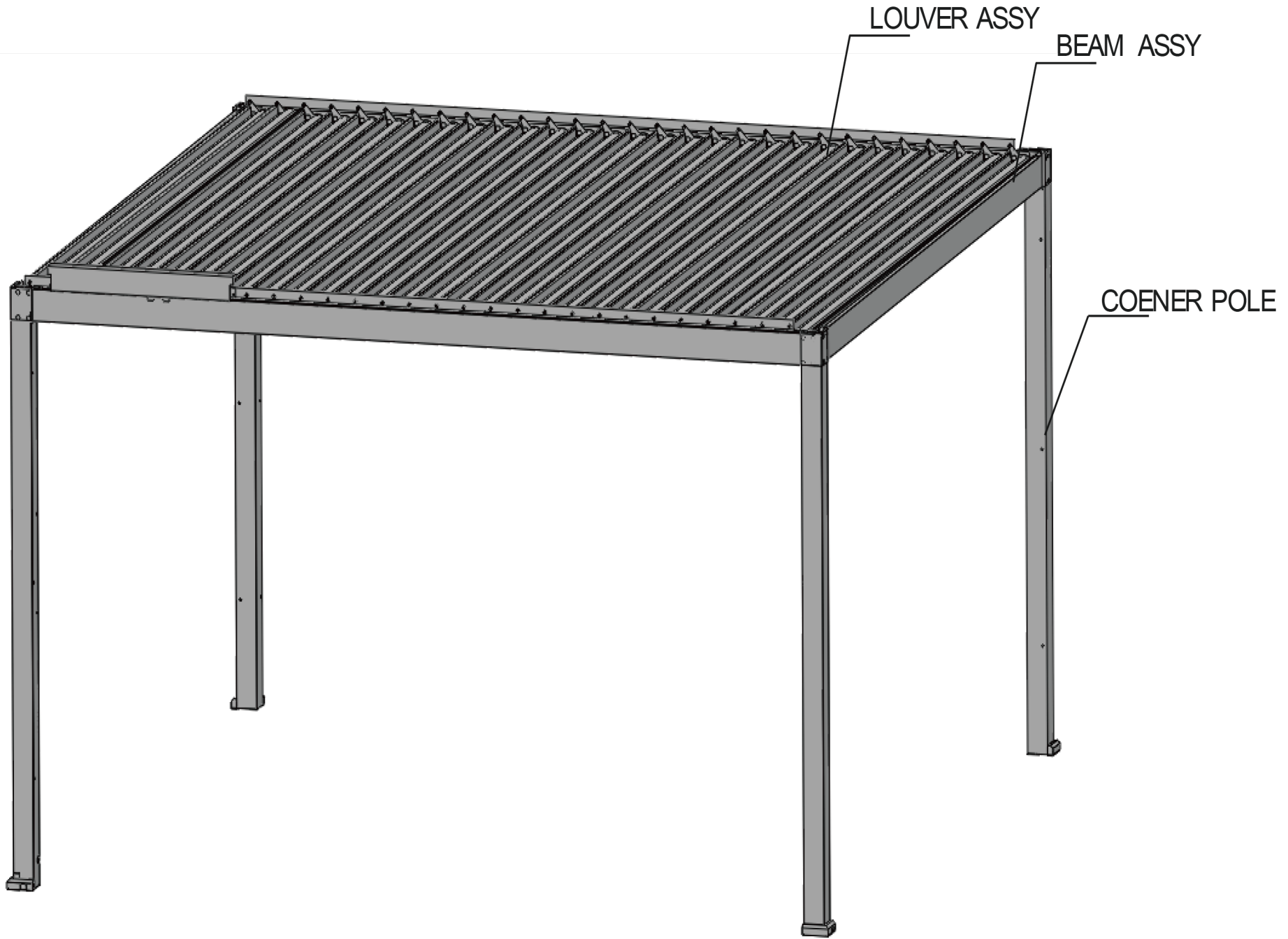


COLUMN THICKNESS: 1.3MM



LOUVER THICKNESS: 1.4MM





LOUVER ASSY

BEAM ASSY

COENER POLE

