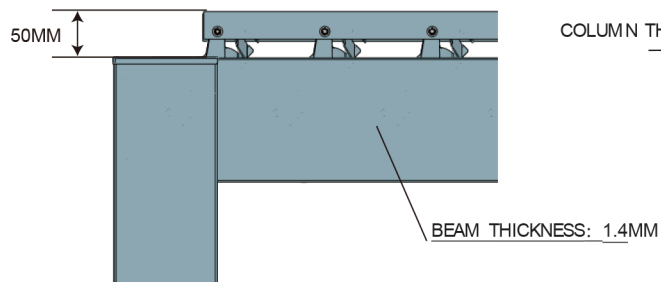
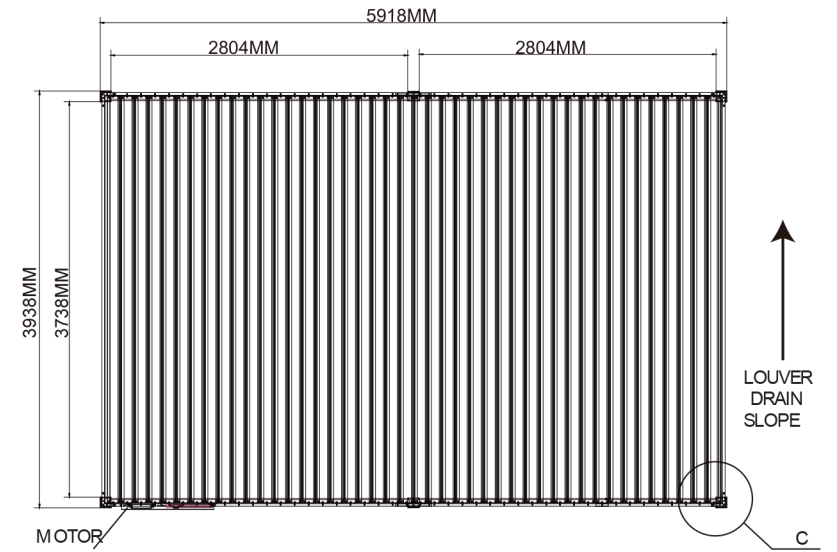
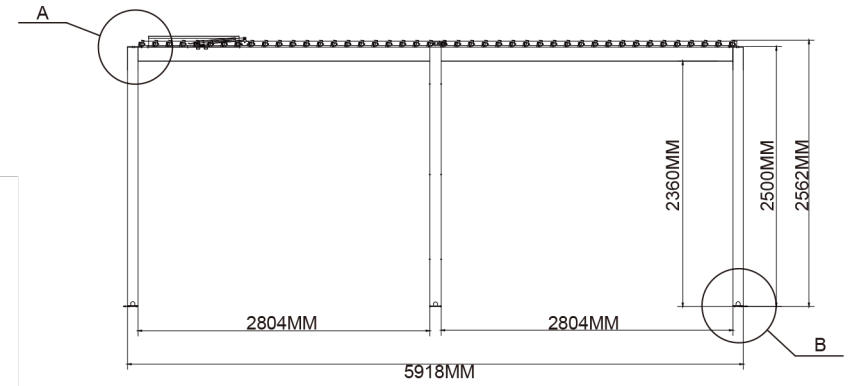
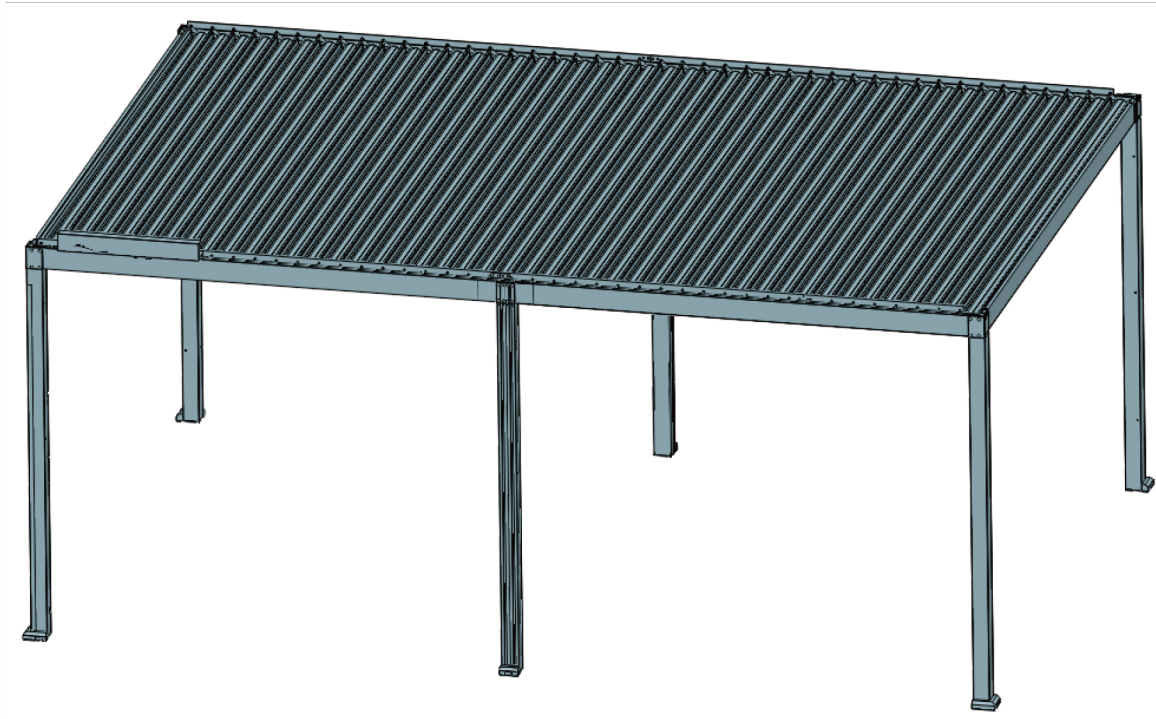
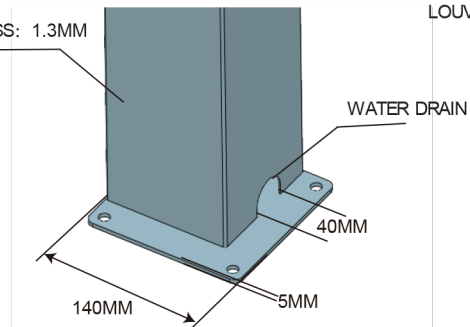


Materials:6063-T5



COLUMN THICKNESS: 1.3MM

BEAM THICKNESS: 1.4MM



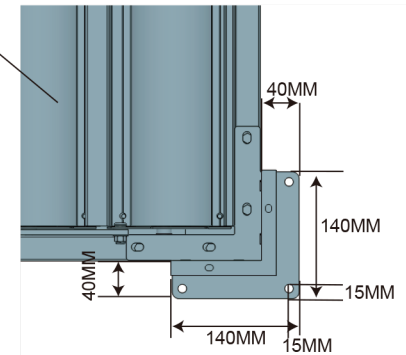
WATER DRAIN

140MM

5MM

40MM

LOUVER THICKNESS: 1.4MM



40MM

140MM

15MM

40MM

140MM

15MM

LOUVER ASSY

BEAM ASSY

CORNER POLE ASSY

